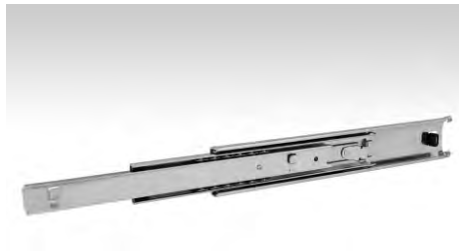




**TOPSLIDE
DRAWER SLIDE
QUICK SHIP PROGRAM**

Dispatch within

48
hours

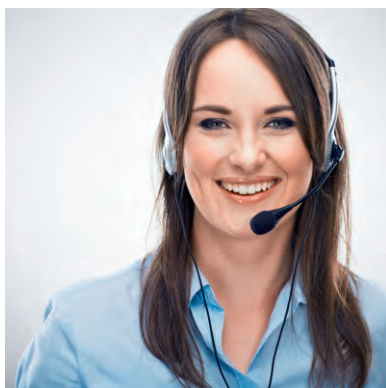


TOPSLIDE - VALUE FOR MONEY



- * Value for money
- * Cost Effective
- * Quality
- * Unlimited support

“At TOPSLIDE, we are experts in producing slides. So what does this mean for you? Well not only do you get value for money but you can also rest assured that you are partnered with the best in the business.”



TOPSLIDE


At TOPSLIDE you get both the attention you deserve as well as one of the best ball bearing slides on the market. We understand how important our product is to the feel of your final product.

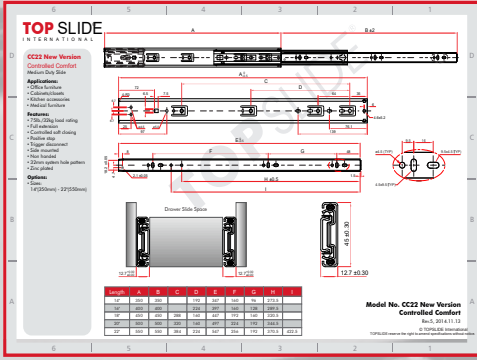
We have extensive knowledge in raw materials, die casting, press forming, bending and welding, and we combine these processes into ball bearing slides that work for you.

In addition, TOPSLIDE upholds an outstanding reputation for manufacturing and timely delivery of custom-made slides.

TOPSLIDE is one of only a handful of companies worldwide that strictly specializes in drawer slides and we encourage you to compare our ball bearing slides to competitors products in terms of pricing and quality.

TOPSLIDE - QUALITY BALL BEARING SLIDES





- * Certified manufacturing
- * ISO, DIN, EN, BIFMA
- * Quality management
- * Timely delivery

“At TOPSLIDE, we are experts in manufacturing slides. Our slides are constantly tested to internationally recognised standards and we offer testing of our slides into your products with certificates which meet all international standards”

TOPSLIDE BALL BEARING SLIDES

No matter whether you choose to use one of our standard industry slides from our 48 hour Quick Ship Program or a custom-made slide you can rest assured that our ball bearing slides provide you with:

- Excellent smooth and quiet movement regardless of load capacity
- High reliability
- Long and maintenance free service life

As we create and manufacture our own slide design, also in minimal quantities, we are actively engaged in all of the process from prototyping to the delivery of a high quality product.



GLOBAL PRESENCE

TOPSLIDE is dedicated to servicing you as a customer. We have offices in Europe as well as in Asia. No matter where you are located we will be ready to help you select the right slide for your application.

TOPSLIDE PARTNERSHIP

At TOPSLIDE we have considerable experience in working with companies in all industries.

Probably we have been involved in design and construction of slides for a product range similar to yours. We would be happy to share our design ideas with you and play a constructive role in proposing a design solution. Early involvement in the design process often results in a better slide solution and ultimately an enhancement to your product.

TOPSLIDE - CUSTOMIZED SLIDES FOR YOUR APPLICATION



Office/home furniture, tool cars/
storage, caravans, wire baskets,
electronics, kitchen/bath room, work
benches, waste bin systems etc.



CUSTOMIZED SLIDES

TOPSLIDE has developed and manufactured slides for more than 25 years. Our area of expertise is custom manufacturing slides according to your specifications.

We develop and engineer our slides in-house in Europe but manufacture within our factories based in China. Our European base ensures that all criteria of the design from pricing to quality match your requirements.

As we have a passion for slides, our in-house engineering staff can create a slide for almost any application. Don't settle for an off the shelf item when we can provide the slide design that meets all of your requirements.



OEM solutions

TOPSLIDE slides are an integrated and essential part of a wide range of products where they provide smooth, quiet, efficient functionality. We currently supply the following segments:

- Office furniture
- Van racking systems
- Caravans
- Home furniture
- Wire baskets
- Electronics
- Kitchen/bath room
- Work benches
- Waste bin systems



TOPSLIDE - SLIDES FOR ALL YOUR BUSINESS NEEDS

At TOPSLIDE we are experts in producing slides. We are closely linked with some of the largest manufactures worldwide who we help to design and integrate our slides into their products.



TOPSLIDE ball bearing slides are part of everyday industrial applications and devices. You will find the TOPSLIDE brand in tool trolleys where our slides provide reliable and maintenance free operation even under tough workshop conditions.



Server racks and electronics rely on TOPSLIDE products. We are committed to quality, cost effectiveness and unlimited support.

We manufacture custom products by combining the latest technology with highly skilled labour. This combination ensures that each slide is manufactured to the highest quality standards.



TOPSLIDE has a history of manufacturing slides for office and home furniture. Today you will find the TOPSLIDE brand in cabinets where our slides have performed tens of thousands of cycles.



Custom solution for waste separation systems have become an area of focus and expertise for TOPSLIDE.

Dispatch within
48
hours

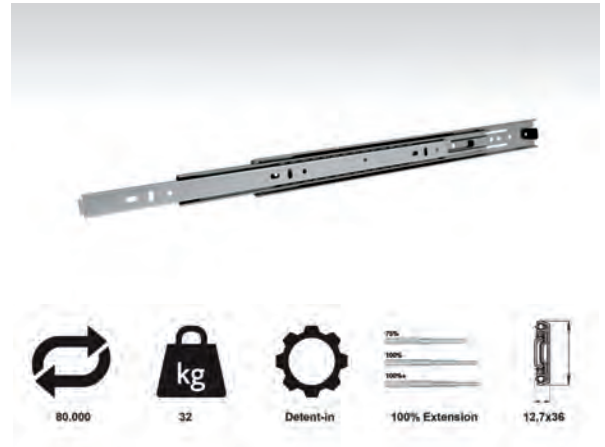
32 KG

QUICK SHIP PROGRAM

Model 3612
The economical standard

The 3612 full extension slide is a medium duty, standard slide. It is durable, reliable and affordable. The 3612 is for lighter applications

Available sizes from:
250-500 mm in 50 mm increments.



32 KG

Model CC20
Standard drawer slide with Push-Open function

A medium duty full extension slide with push open functionality.

Available sizes from:
350-550 mm in 50 mm increments.

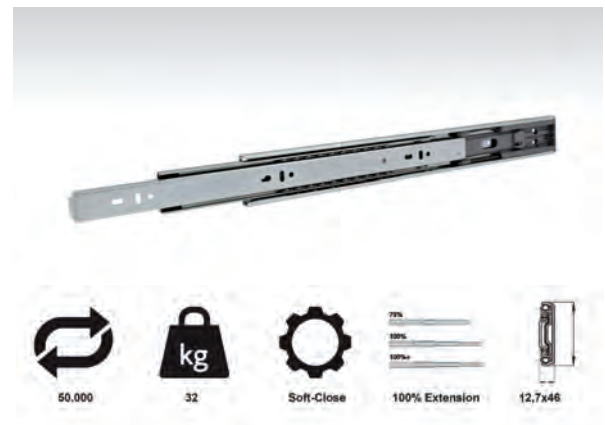


32 KG

Model CC22
CONTROLLED Comfort

A side mount soft-closing slide with smooth action. For a very fair price your drawers will have soft-closing action

Available sizes from:
350-550 mm in 50 mm increments.



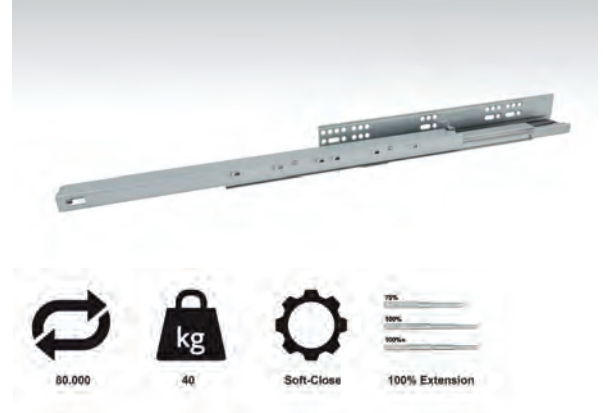
40 KG

QUICK SHIP PROGRAM

Model SL44C
Concealed Comfort slide with clips

An undermount soft-closing slide. The SL44C slide is a smooth running fully synchronized slide

Available sizes from:
350-550 mm in 50 mm increments

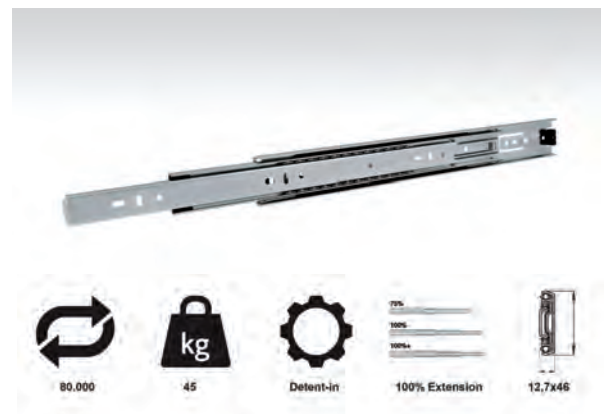


45 KG

Model 757
The industry standard.

The 757 slide is our all time tested standard slide. Extremely durable, reliable and affordable. This is the basic slide of slides.

Available sizes from:
250-700 mm in 50 mm increments.

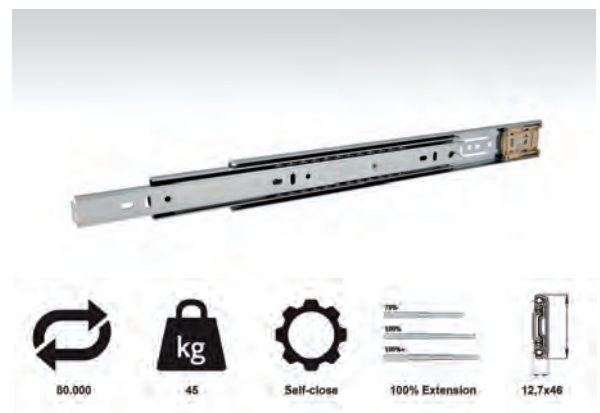


45 KG

Model 757SC
Self close standard.

With a self close mechanism, this performance slide adds value to every installation, especially in commercial applications.

Available sizes from:
300-600 mm in 50 mm increments.



45 KG

QUICK SHIP PROGRAM

Model CC56
CONTROLLED COMFORT
Soft close full extension slide.

The CC56 slide is a soft close full extension slide based on the 53131 slide.

Available sizes from:
400-700 mm in 50 mm increments.

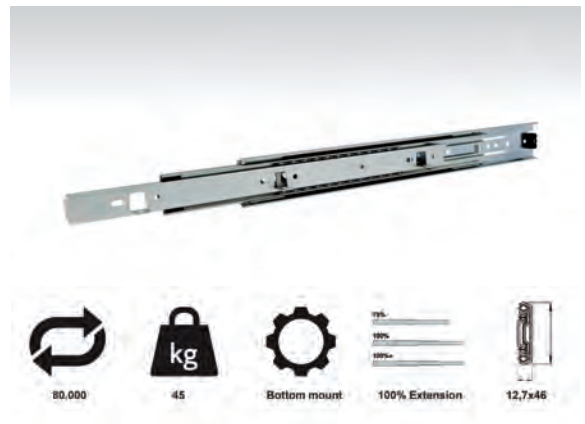


45 KG

Model 757A
The 757 bottom mount.

The 757A slide is our tried and true standard slide with bottom mount tabs. The slide is ideal for pull out trays and similar products.

Available sizes from:
300-600 mm in 50 mm increments.

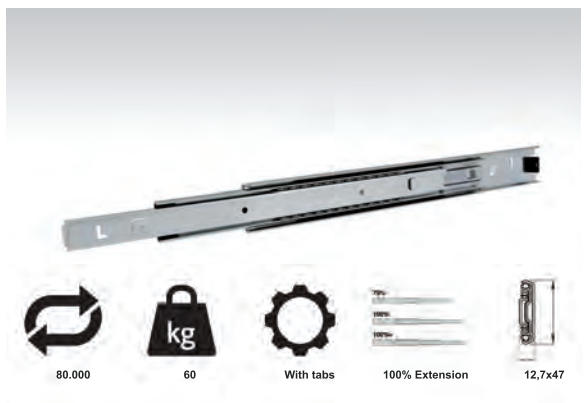


60 KG

Model H757 w/tabs.
The industry standard with tabs

The industry standard slide with tabs suitable for metal cabinets such as tool trolleys.

Available sizes from:
300-700 mm in 50 mm increments



60 KG

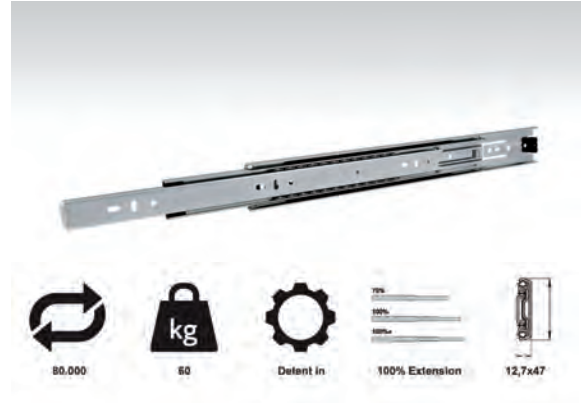
QUICK SHIP PROGRAM

Model H757
A 60 kg. industry standard

The H757 slide is a heavy duty slide based on the 757 standard slide

The H757 is extremely durable with a 60 kg. load rating.

Available sizes from:
350-500 mm in 50 mm increments.



75 KG

Model 53131
The classic slide.

The 53131 slide is the premium heavy duty 75 kg. slide for all purposes.

Available sizes from:
250-1050 mm in 50 mm increments.

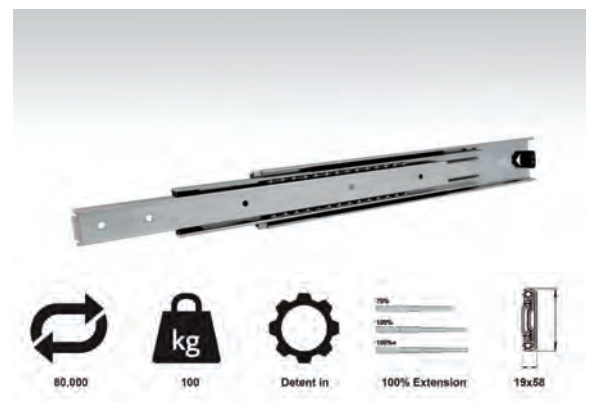


100 KG

Model 5819
The performance slide

The 5819 slide is the premium heavy duty 100 kg. slide.

Available sizes from:
350-1500 mm in 50 mm increments.



140 KG

QUICK SHIP PROGRAM

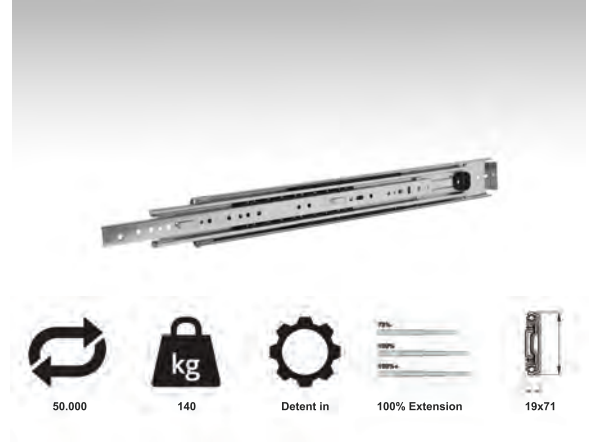
Model 7119

A heavy duty slide for heavy loads.

The 7119 slide is a premium heavy duty slide with a 140 kg. load rating.

Available sizes from:

250-1200 mm in 50 mm increments - not all sizes available from Quick Ship.



180 KG

Model 7619

The maximum heavy duty slide with lock in/lock out

The 7619 Slide is our maximum duty drawer slide. Extremely durable and used in the most demanding situations from truck bodies to military applications, this is the ball bearing slide for maximum raw performance.

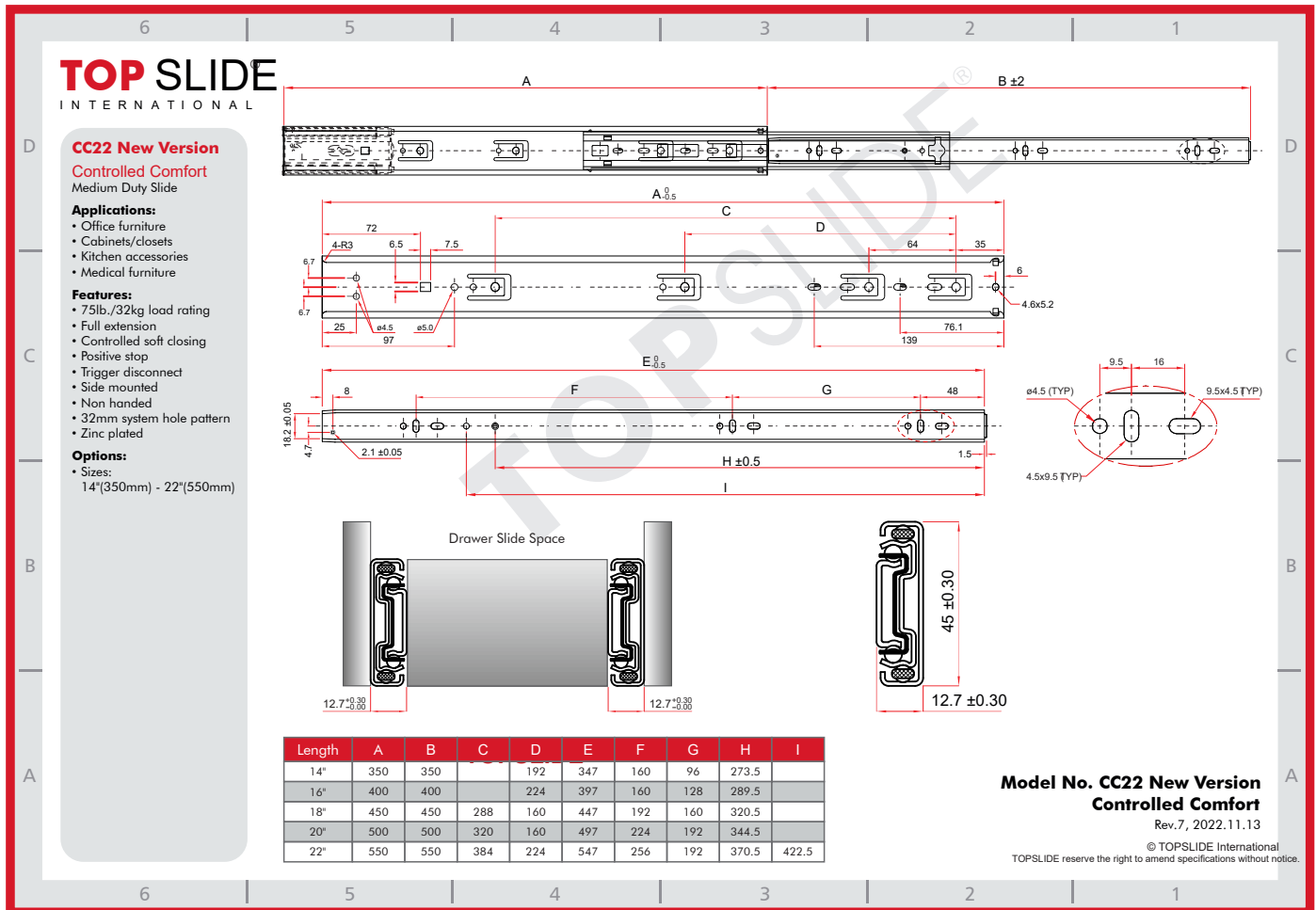
Available sizes from:

250-1200 mm in 50 mm increments - not all sizes available from Quick Ship.



TOPSLIDE TECHNICAL DRAWINGS

At www.topslide-dk.com you can conveniently download technical drawings for all ball bearing slides in our Quick Ship Program. The drawings include all measurements, size availability, typical applications, features and options.





TOPSLIDE MAIN OFFICES :

TOPSLIDE International Denmark A/S
Silkeborgvej 765
DK-8220 Brabrand
Tel.: +45 8675 3311 topslide@topslide-dk.com

TOPSLIDE International GmbH
Karl Sack strasse 17
D-555 45 Bad Kreuznach-Bosenheim,
Tel.: +49 0 171 296 1900 topslide@topslide-dk.com

TOPSLIDE International UK Ltd.
33 Queens Crescent
UK-WF5 8AU Wakefield
Tel.: +(44) 772.7772.888 topslide@topslide-dk.com

TOPSLIDE International Sweden
Vallavägen 7,
SE-58246 Linköping
Tel.: +46 70 876 33 87 topslide@topslide-dk.com

TOPSLIDE International Italy
Viale Antonio Canova 6
IT-47042 Cesenatico (FC)
Tel.: +39 347 9533807 topslide@topslide-dk.com

TOPSLIDE International Poland
ul. Kaczencowa 31
PL 81-575 Gdynia
Tel.: +48 698 663 175 topslide@topslide-dk.com

TOPSLIDE International China
RM4301, Block 7, Dongjiang Star, West HongFu Road,
Wanjiang District, Dongguan City, 523000, China.

**TOPSLIDE
SERVICING ALL
COUNTRIES ACROSS EUROPE**



TOPSLIDE services all countries across Europe. For countries not listed please contact the office nearest you.